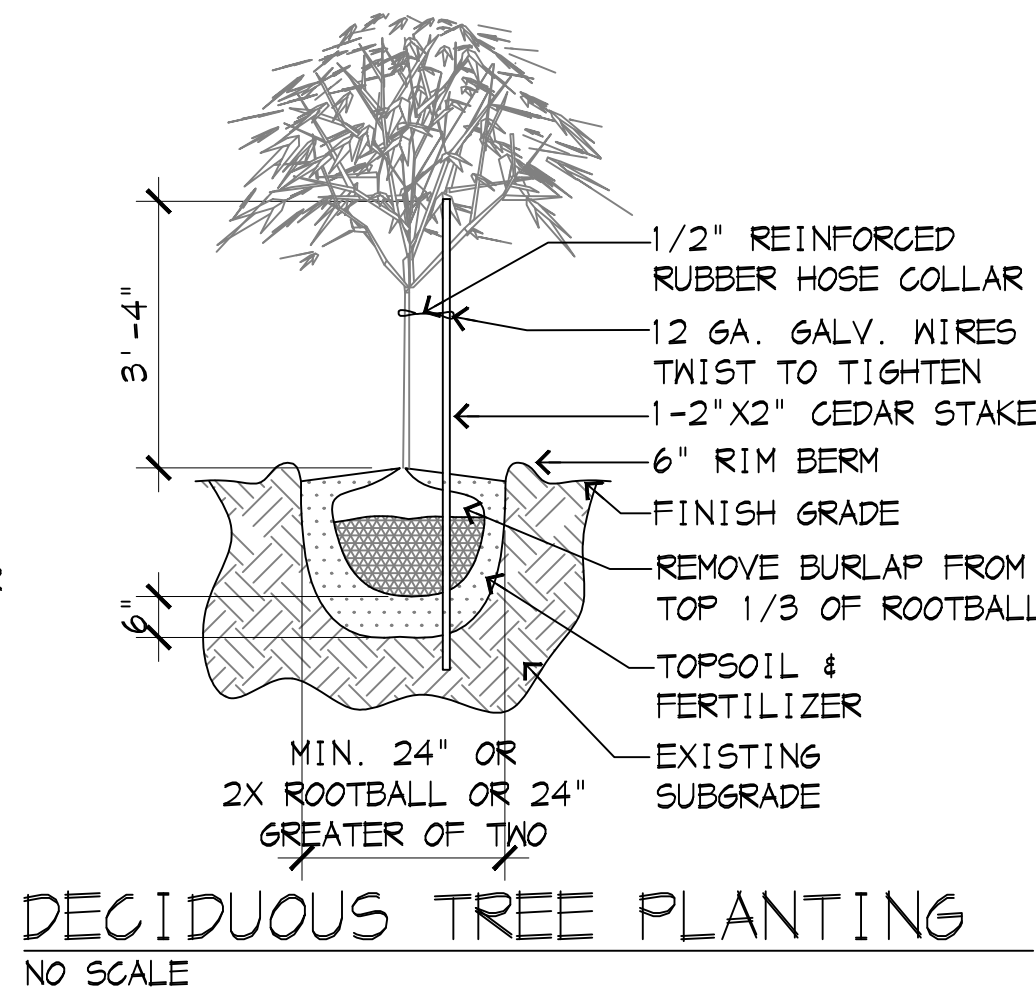
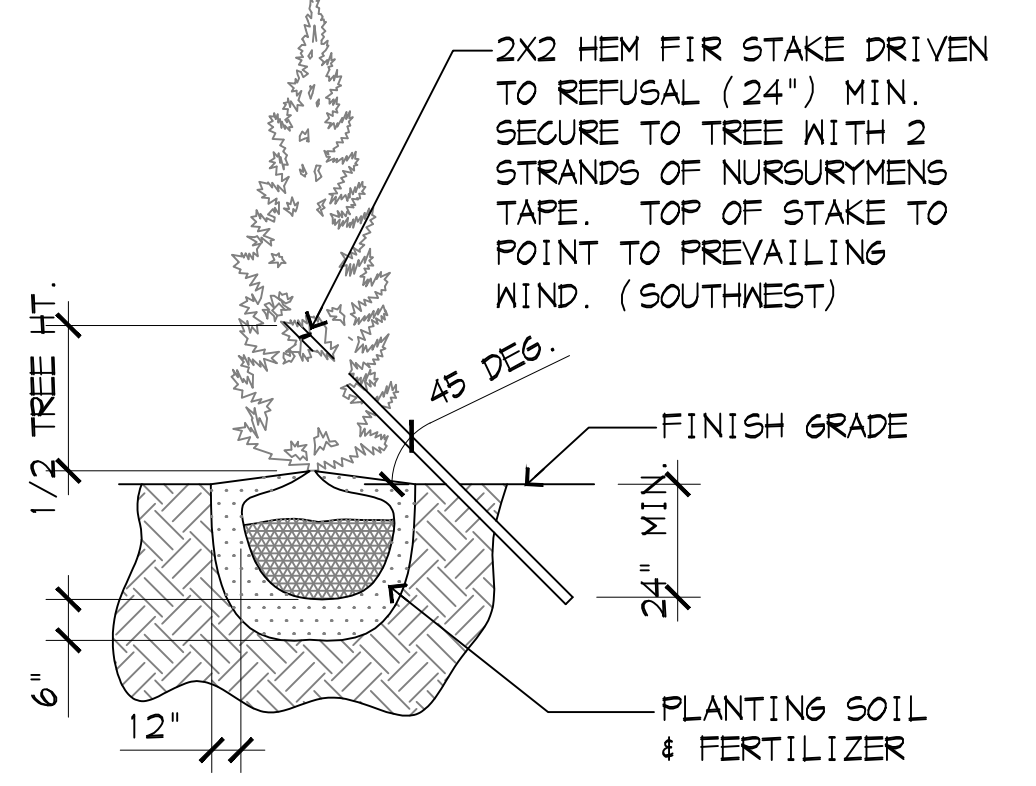
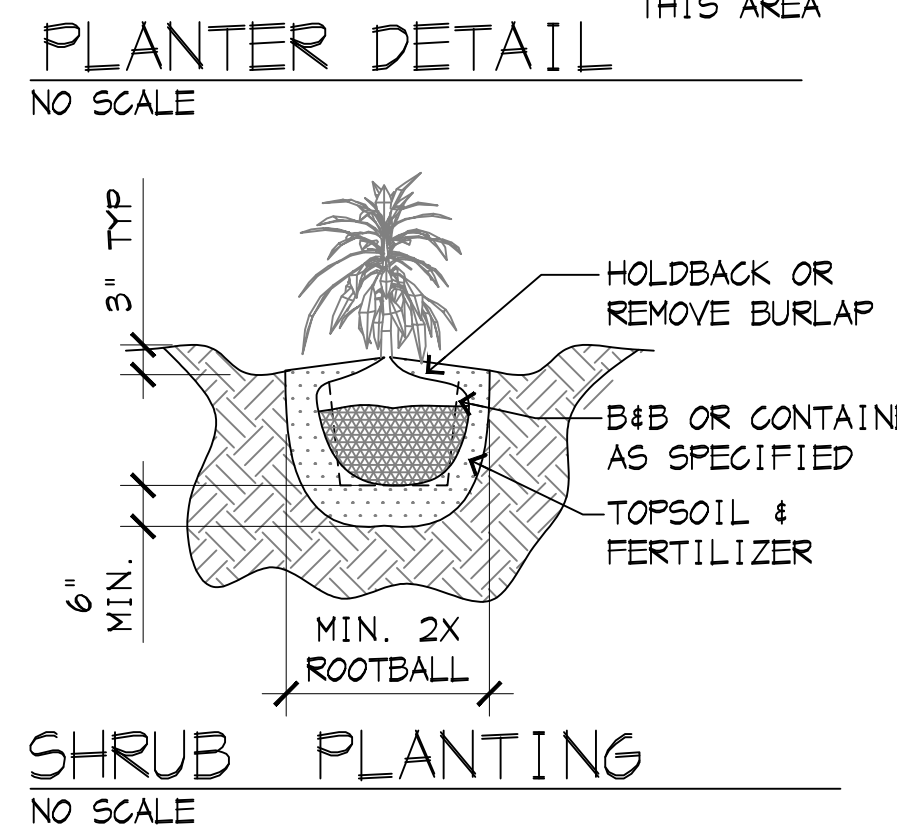
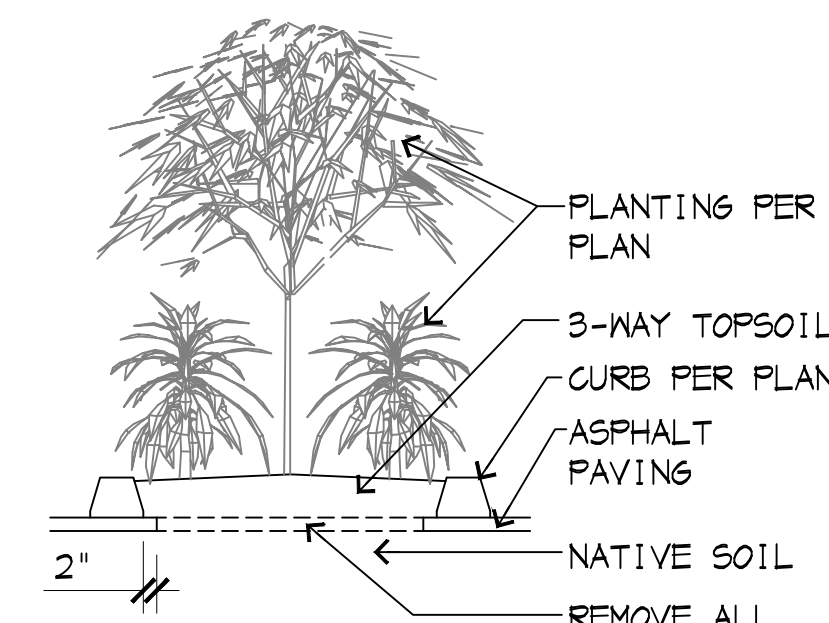
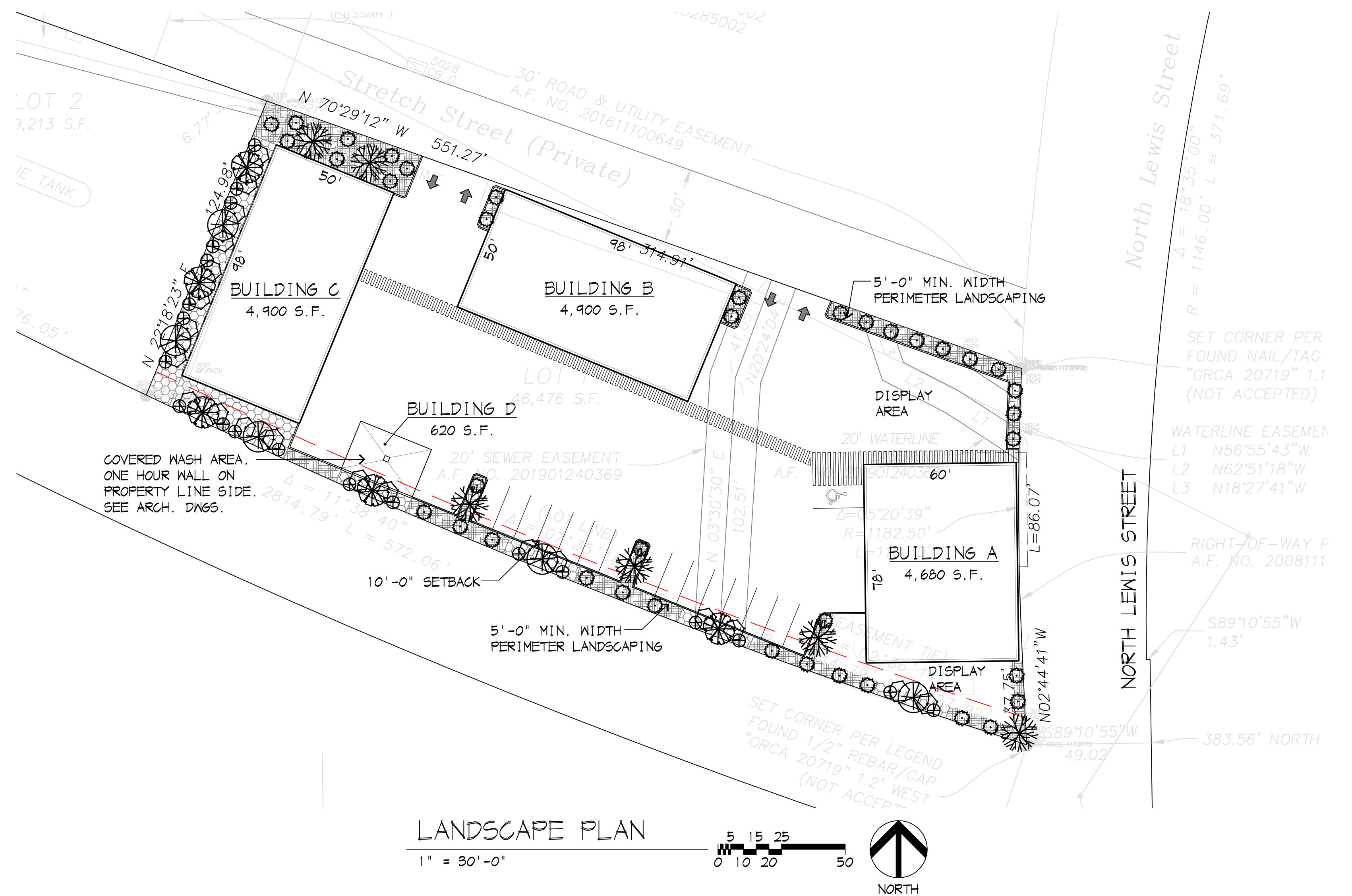


PLANTING SCHEDULE					
SYMBOL	QUANTITY	BOTANICAL	COMMON	SIZE	REMARKS
	6	CORNUS NUTTALLII	PACIFIC DOGWOOD	2" GAL.	
	20	ACER CIRCINATUM	VINE MAPLE	B & B, 6'-8' TALL	4-6 CANES
	5	THUJA PLICATA	WESTERN RED CEDAR	B & B, 8'-10' TALL	
	5	PSEUDOTSUGA MENZIESII	DOUGLAS FIR	B & B, 8'-10' TALL	
	20	VACCINIUM PARVIFOLIUM	HUCKLEBERRY (RED SEEDS)	2 GAL.	24" TALL
	36	RHODODENDRON CALIFORNICUM	NATIVE RHODODENDRON	2 GAL.	24" TALL MIXED VARIETY
	AS REQ'D	GAULTHERIA SHALLON	SALAL	6" POTS	18" O.C. Δ
	AS REQ'D	ARCTOSTAPHYLOS UVA-URSI	KINNIKINNIK	4" POTS	24" O.C. Δ

**LANDSCAPE NOTES**

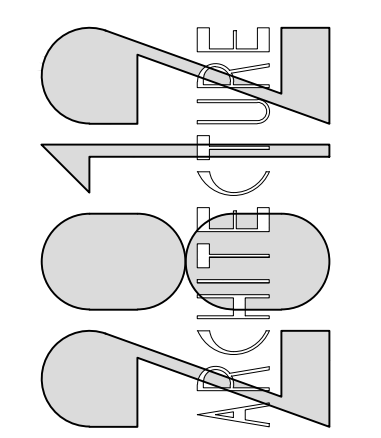
- Backfill mix for planting trees, shrubs and ground cover shall be: One part by volume of 3-way topsoil mixed with one part native soil.
- Planter areas to receive 3-way topsoil.
- All trees, shrubs and groundcover shall be fertilized with Agro 4-2-2 transplanter or equal at planting time.
- After planting of all plants, mulch all areas with a minimum of 2" of medium fine bark mulch.
- Owner to approve planting prior to installation.
- Plant types may be substituted due to availability with similar species and varieties provided they are approved by the Architect and the City of Mukilteo.
- Landscaping contractor responsible for maintenance during construction period.
- All plants to be healthy at the time of planting and guaranteed for one full year or until the next spring (whichever is greater).
- Prior to planting eliminate existing weeds and grasses.
- A sprinkler system is required for this project. Design and installation of the system will be the responsibility of the bidding contractor. General Contractor to submit shop drawings to the Architect prior to installation of the system.
- See this drawing for planting and landscaping details.

A Double Check Valve Assembly is required for all irrigation systems.



Date:	05 NOV 2021
For:	SITE PLAN AND ENG. SUBMITTAL

2812 Colby Avenue  
Everett WA 98201  
(425) 252-2153 p  
www.2812architecture.com



RECEIVED  
11/19/2021  
CITY OF MONROE

New Motorsport Facility for:  
**ADVENTURE MOTORSPORTS**  
310 North Lewis Street  
Monroe, Washington  
CONTAINS: LANDSCAPE PLAN

Drawing:	<b>L1.1</b>
Job Number:	20c-4168